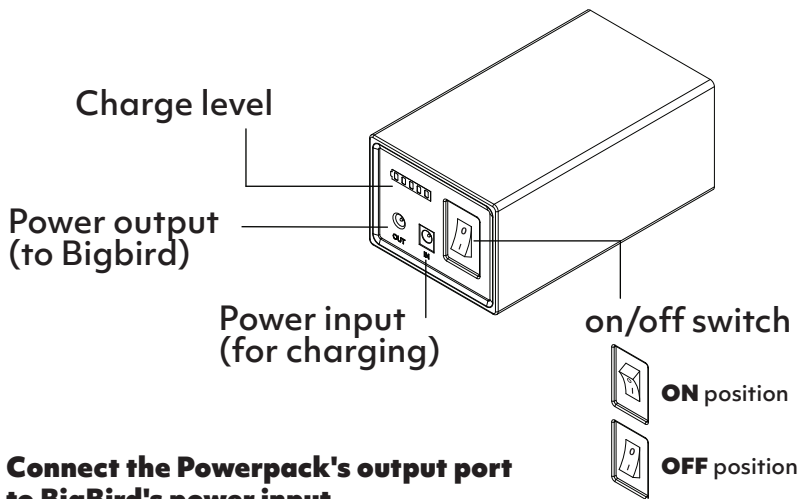


BIGBIRD

POWERPACK - 156wh



- 1** Connect the Powerpack's output port to BigBird's power input.
- 2** Turn switch to the ON position.
- 3** To recharge: Connect the charging cable to the power input port and turn the switch to the ON position to begin charging.



SAFETY WARNING

Risk of fire, explosion, or burns if mishandled. Do not puncture, crush, disassemble, or expose to water, fire or high temperatures. Use only with compatible devices and chargers. Keep away from children and pets. Do not short-circuit terminals or allow metal objects to come into contact with them. Avoid excessive heat or direct sunlight. Store in a cool, dry place. Dispose of properly in accordance with local regulations. If damaged or leaking, discontinue use immediately and avoid contact with liquid. MADE IN CHINA.

Timebirds Australia Pty Ltd. 36-38 Gipps Street, Collingwood, VIC. 3066. Australia. For warranty and questions, visit timebirds.com or email us at team@timebirds.com. SKU: TIMEBIRDS POWERPACK ref: TIMEBI-BAT-3A1-159 | 9357613001025. Compatible with BigBird timer only. Tools not provided.

Limitation of Liability.

Timebirds Australia Pty Ltd shall not be liable for any incidental, indirect, or consequential damages arising from the use, misuse, or inability to use this product, including but not limited to loss of revenue, loss of data, loss of profits, or any other commercial or financial loss, even if Timebirds Australia Pty Ltd has been advised of the possibility of such damages. This limitation of liability applies regardless of the legal theory under which such damages are sought, including breach of warranty, contract, negligence, strict liability, or any other theory. The sole and exclusive remedy for any claim arising out of or related to this product shall be repair, replacement, or refund as specified in our limited warranty policy. By using this product, the purchaser agrees to these terms and acknowledges that this limitation is a reasonable allocation of risk.

TIMEBIRDS